



DRH

Components

P O Box 1203, Hillcrest, 3650
Unit2, 22 Assagay Road, Hillcrest, 3610

Tel: 031 765 4748

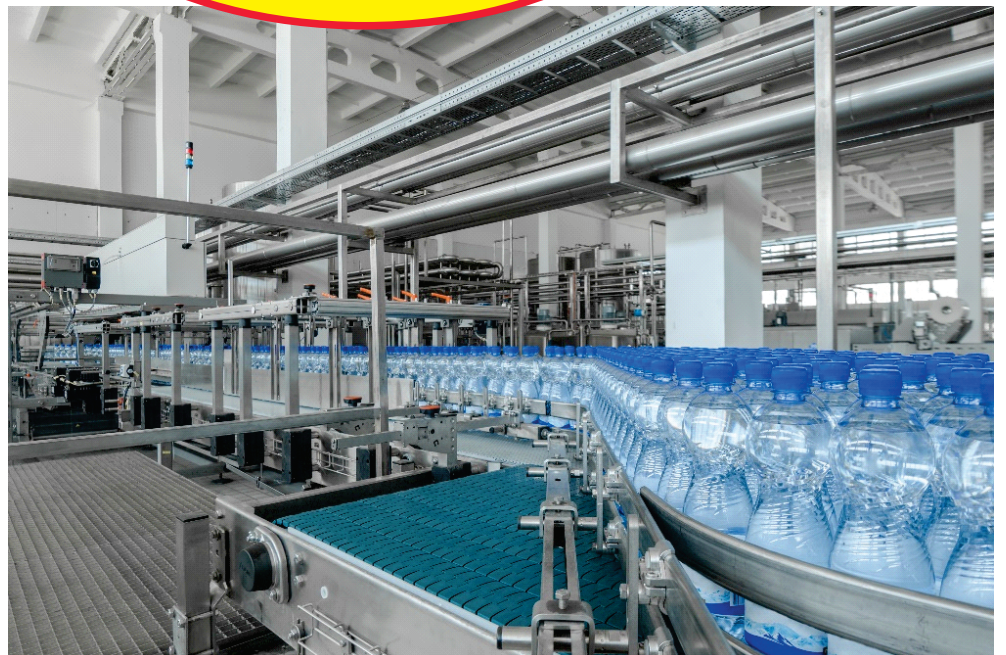
Fax: 031 765 4651

info@drhcomponents.co.za

www.drhcomponents.co.za



**CONVEYOR
SAFETY
SWITCHES**



CONVEYOR SAFETY CABLE PULL SWITCH

The SRS conveyor cable Pull Switch is designed to provide a switching system to trip the conveyor and other necessary process equipment in case of emergency

The cable Pull Switches are mounted on the side of the conveyor at intervals of up to 33 meters and are activated by a steel rope that runs the length of the conveyor belt.

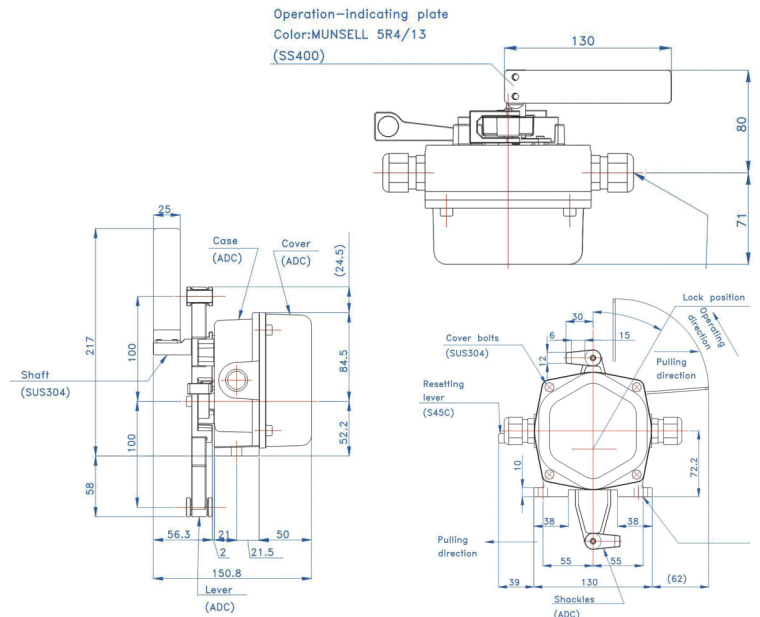
When the steel rope is pulled, the Pull Switch will lock into the tripped position and the SPDT micro switches will change state. An on board metal flag will indicate that the Pull Switch is in the tripped position.

Resetting of the Pull Switch is done manually by releasing a mechanical latch.

The Pull Switch is bi-directional and steel ropes can be connected from either direction.

SPECIFICATION

- Part Number – SRS-100+TB
- Contact Rating – 15A 115/220VAC, 0.5A 125VDC
- Micro Switches – 2 SPDT
- Operation Distance – 33m both sides
- Operation force – Adjustable
- Ambient Temp -20°C to 60°C
- Reset – Manual
- Ingress Protection – IP67
- Enclosure – Die-Cast
- Weight – 3kg



CONVEYOR ALIGNMENT SAFETY SWITCH

The SRT Conveyor Alignment Switch is designed to provide an alarm signal and trip contact in the event that the conveyor belt is misaligned and in danger of run-off.

The SRT Conveyor Alignment Switches are mounted on both sides of the conveyor belt return roller.

The edge of the conveyor belt pushes the roller of the Conveyor Alignment Switch and activates the alarm contact at 20° and the trip contact at 30°. The microswitch operating angles are adjustable between 0° and 35°. The operating spring force of the Conveyor Alignment Switch roller is also adjustable.

The Conveyor Alignment Switch automatically resets.

SPECIFICATION

- Part Number – SRT-100+TB
- Contact Rating – 15A 115/220VAC, 0.5A 125VDC
- Micro Switches – 2 SPDT
- Total Roller Travel – 75°
- Operation force – Adjustable
- Ambient Temp -20°C to 60°C
- Reset – Automatic
- Ingress Protection – IP67
- Enclosure – Die-Cast
- Weight – 3kg

