

# **DRH** Components

P O Box 1203, Hillcrest, 3650  
Unit2, 22 Assagay Road, Hillcrest, 3610

Tel: 031 765 4748

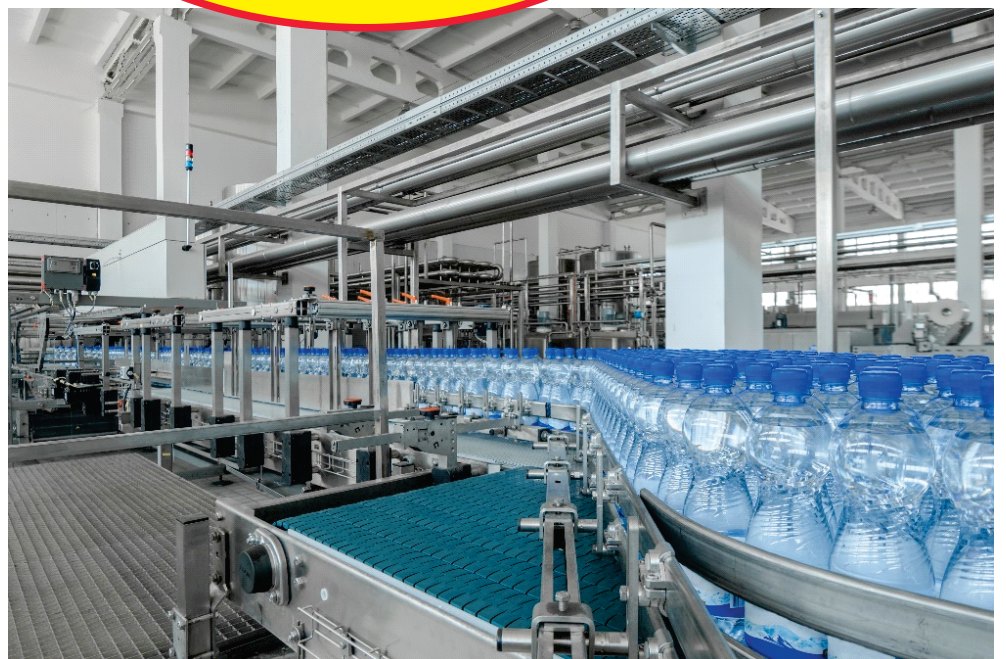
Fax: 031 765 4651

info@drhcomponents.co.za

www.drhcomponents.co.za



## **CONVEYOR SAFETY SWITCHES**



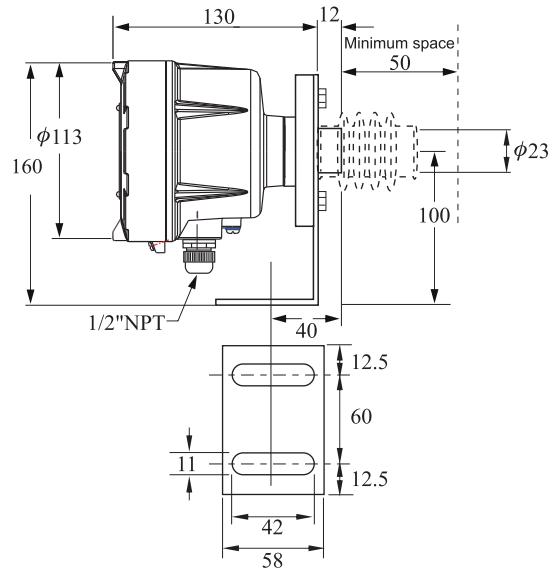
# CONVEYOR SPEED SWITCH

## ED4000

The ED4000 Speed Switch/Monitor uses optocoupler and microprocessor technology to accurately measure rotational speed. The Speed Switch is directly coupled and has a maximum sensing range of 1~999 rpm. The Speed Switch has auto-ranging power supply 85~230VAC and the switch setup is done by the on-board rotary switches. The output relay has a selectable delay time range of three to thirty seconds for start up delay and alarm delay. Apart from the SPDT output relay, a 4-20mA analog signal is available for four selectable speed ranges. An on-board 7 segment LCD display indicates the monitored speed. The Speed Switch monitors in both clockwise and anti-clockwise directions. The entire Speed Switch is made from corrosion free material and can be used in Zone 21 environments.

### Features

- Monitor range 1~999 RPM
- Control Voltage 85~230VAC
- 7 Segment LCD speed display
- Setup done by on-board Rotary Switches
- Trip Relay SPDT 5A/250VAC
- Clockwise or anti-clockwise monitor
- Trip Relay delay selectable 0~30 sec.
- Analog speed output signal 4-20 mA
- Selectable signal range 100/200/500/999 RPM
- Aluminium Enclosure IP65



## EDX10

The EDX10 Speed Switch uses optocoupler and microprocessor technology to accurately measure rotational speed. The Speed Switch is directly coupled and has a sensing range of 1~150 rpm. The Speed Switch has auto-ranging power supply 110~220VAC or 24VDC and is setup by the on-board rotary switches. The Speed Switch monitors in both clockwise and anti-clockwise directions. The output relay has a selectable thirty second start up delay. The entire Speed Switch is made from corrosion free material and can be used in Zone 21 environments.

### Features

- Monitor range 1~150RPM
- Control Voltage 110/220VAC or 24VDC
- Setup by on-board rotary switches
- Trip relay SPDT 5A/250VAC, 5A/30VDC
- Clockwise or anti-clockwise monitor
- Trip relay delay selectable 0/30 sec.
- Aluminium Enclosure IP 65

